

**Manufacturer:**

PENDOCK, Halesfield 19, Telford, Shropshire, TF7 4QT.  
**T:** 01952 580590 **E:** sales@pendock.co.uk **W:** www.pendock.co.uk

**Product Range:** **PENDOCK PROFILES**  
 Pendock Profiles CASINGS FOR SERVICES

**Product Reference:**  
 BOXING-PAK - MX 200x300

**Product Description:**  
 Pendock BOXING-PAK, supplied complete with fixings, is ideal where short runs of pipework need to be covered. The pack will include: One length of profile, two timber battens, screws & white caps. All sealed in a durable plastic bag with the easy install leaflet. Everything needed for a complete install. Supplied in pre-formed plywood with white melamine finish

**Size:**  
 200mm x 300mm angle section with one 90 degree angle.

**Length:**  
 825mm - OR - 1250mm

**Thickness:**  
 8mm

**Profile Angle:**  
 90 degrees

**Internal Working Space (approx):**  
 192mm x 292mm overall

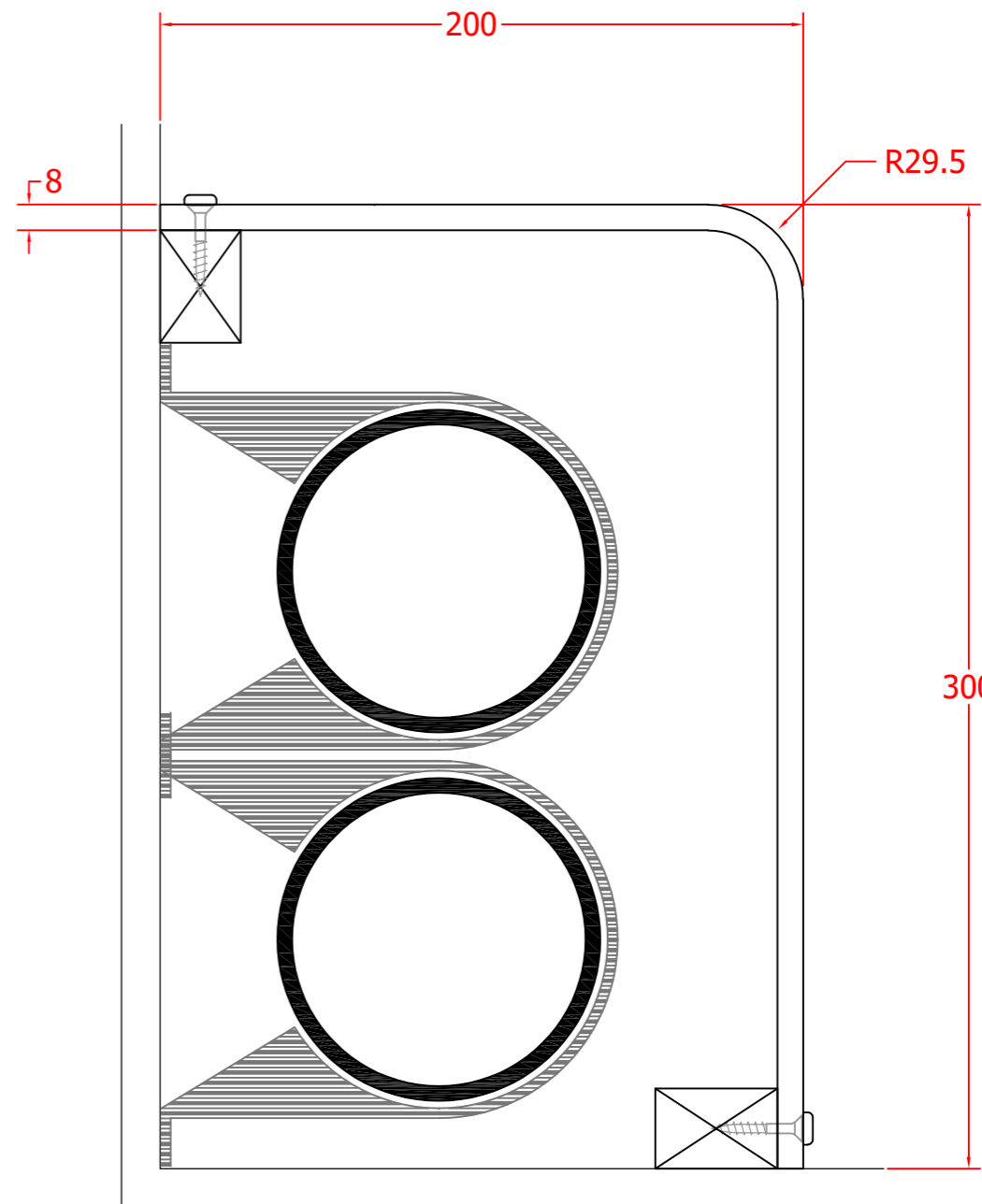
**Finish / Colour:**  
 White Melamine

**Jointing:**  
 Butt Joint (see accessories)

**Pak Includes:**  
 1 No Profile, 2 No battens, Screws and white caps, installation leaflet.

- Optional Accessories:**
- Internal Corners
  - External Corners
  - Stop Ends
  - Butt Joint Covers
  - Button Vents (white)
  - Access Hatches


**Drawing References:**  
 Boxing-Pak - MX200x300



PRODUCT RANGE:	PENDOCK PROFILES	
PRODUCT REF:	BOXING-PAK - MX 200x300	
DRAWING No:	MX200x300 (BOXING-PAK)	
REVISION:	-	
CREATED:	1.1.20	
DRAWN BY:	TECHNICAL DEPARTMENT	PAPER SIZE
DWG SCALE(S):	NTS	-
COLOUR / FINISH REF:	WHITE MELAMINE	PROJECTION THIRD ANGLE

REV:	DATE:	REVISION:	INIT:
COPYRIGHT © 2020 ALL RIGHTS RESERVED - THIS DRAWING IS STRICTLY THE PROPERTY OF PENDOCK - (TP MANUFACTURING LTD)			

APPROVED BY:	
COMPANY:	
PRINT NAME:	
SIGNATURE:	
DATE:	



THE CASING & ENCLOSURE SPECIALIST

HALESFIELD 19  
 TELFORD  
 SHROPSHIRE TF7 4QT  
 (t) 01952 580590 (f) 01952 587805  
 sales@pendock.co.uk  
 www.pendock.co.uk