

Manufacturer:
 PENDOCK, Halesfield 19, Telford, Shropshire, TF7 4QT.
T: 01952 580590 **E:** sales@pendock.co.uk **W:** www.pendock.co.uk

Product Range: **P E N D O C K P R O F I L E S**
 Pendock Profiles CASINGS FOR SERVICES

Product Reference:
 BOXING-PAK - MX 75x150

Product Description:
 Pendock BOXING-PAK, supplied complete with fixings, is ideal where short runs of pipework need to be covered. The pack will include: One length of profile, two timber battens, screws & white caps. All sealed in a durable plastic bag with the easy install leaflet. Everything needed for a complete install. Supplied in pre-formed plywood with white melamine finish

Size:
 75mm x 150mm angle section with one 90 degree angle.

Length:
 825mm - OR - 1250mm

Thickness:
 5mm

Profile Angle:
 90 degrees

Internal Working Space (approx):
 70mm x 145mm overall

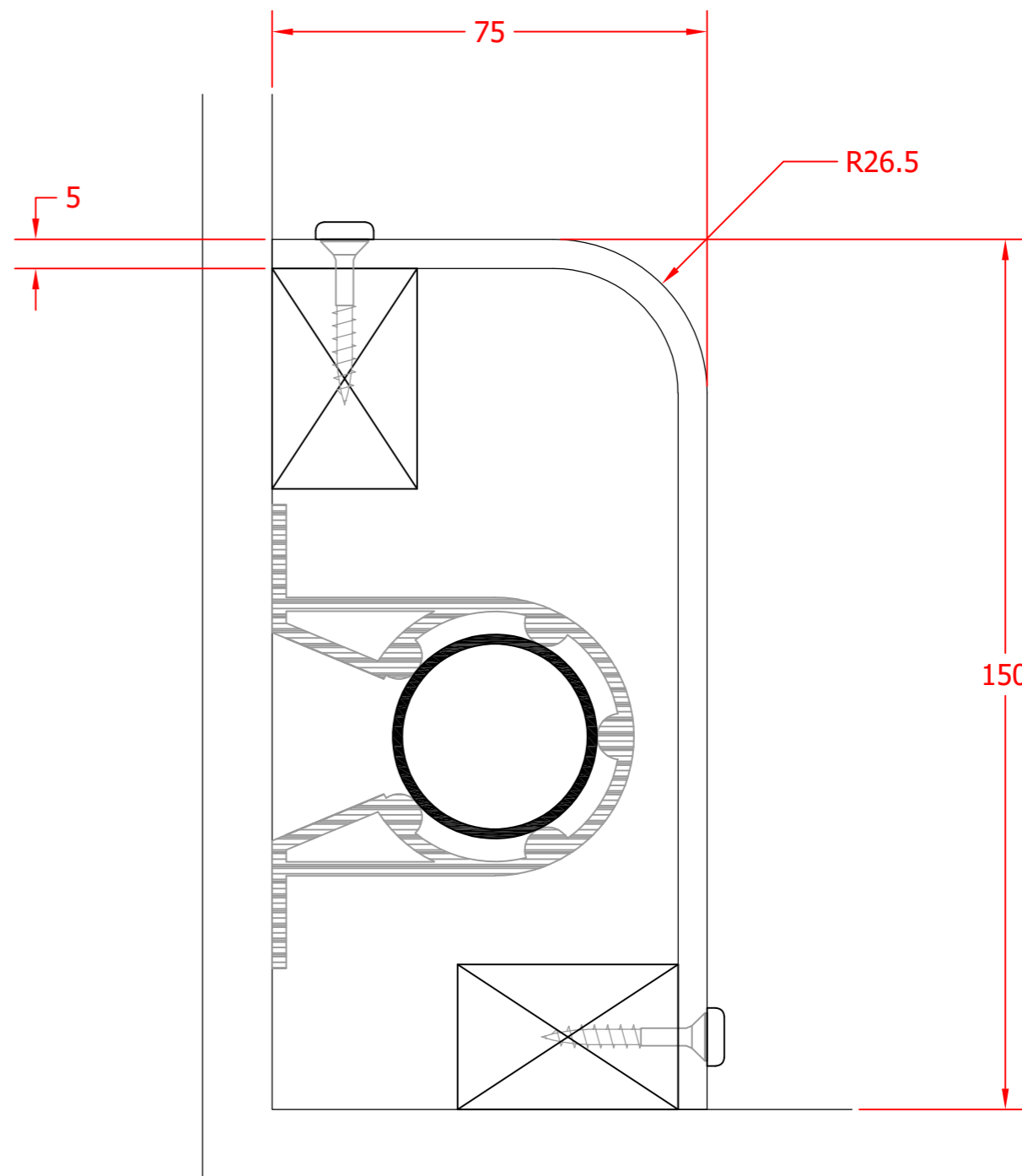
Finish / Colour:
 White Melamine

Jointing:
 Butt Joint (see accessories)

Pak Includes:
 1 No Profile, 2 No battens, Screws and white caps, installation leaflet.

Optional Accessories:
 Internal Corners
 External Corners
 Stop Ends
 Butt Joint Covers
 Button Vents (white)
 Access Hatches


Drawing References:
 Boxing-Pak - MX75x150



PRODUCT RANGE:	PENDOCK PROFILES	
PRODUCT REF:	BOXING-PAK - MX 75x150	
DRAWING No:	MX75x150 (BOXING-PAK)	
REVISION:	-	
CREATED:	1.1.20	
DRAWN BY:	TECHNICAL DEPARTMENT	PAPER SIZE
DWG SCALE(S):	NTS	-
COLOUR / FINISH REF:	WHITE MELAMINE	PROJECTION THIRD ANGLE

REV:	DATE:	REVISION:	INIT:
COPYRIGHT © 2020 ALL RIGHTS RESERVED - THIS DRAWING IS STRICTLY THE PROPERTY OF PENDOCK - (TP MANUFACTURING LTD)			

APPROVED BY:	
COMPANY:	
PRINT NAME:	
SIGNATURE:	
DATE:	



THE CASING & ENCLOSURE SPECIALIST

HALESFIELD 19
 TELFORD
 SHROPSHIRE TF7 4QT
 (t) 01952 580590 (f) 01952 587805
 sales@pendock.co.uk
 www.pendock.co.uk