

Manufacturer:
 PENDOCK, Halesfield 19, Telford, Shropshire, TF7 4QT.
T: 01952 580590 **E:** sales@pendock.co.uk **W:** www.pendock.co.uk

Product Range:
 Pendock Profiles



Product Reference:
 CHM-F-125-200-125 (External Fixing Flange)

Product Description:
 The CHM range, with a double 90 degree return, is ideal for use on external applications or where services require protection from damage / vandalism / theft etc. The CHM profile can be positioned at mid-wall vertical or horizontal locations including soffits, undercrofts, undersides of balconies, bulkheads, etc. Supplied in aluminium with a PPC finish as standard the CHM profile is non-combustible and weather resistant.

Size:
 125mm x 200mm x 125mm channel section with two 90 degree angles. All sizes available - jointing / internal stiffening braces / sectional size and length subject to sheet size available, manual handling, transportation, ease of installation etc

Length:
 1000mm, 1250mm, 1500mm, 2000mm 2500mm, 3000mm & 4000mm lengths available as standard. Non-standard lengths also available upon request.

Thickness:
 2mm as standard - Other thickness available upon request

Profile Angle:
 90 degrees

Internal Working Space (approx):
 123mm x 196mm overall (2mm less than main casing dimensions)

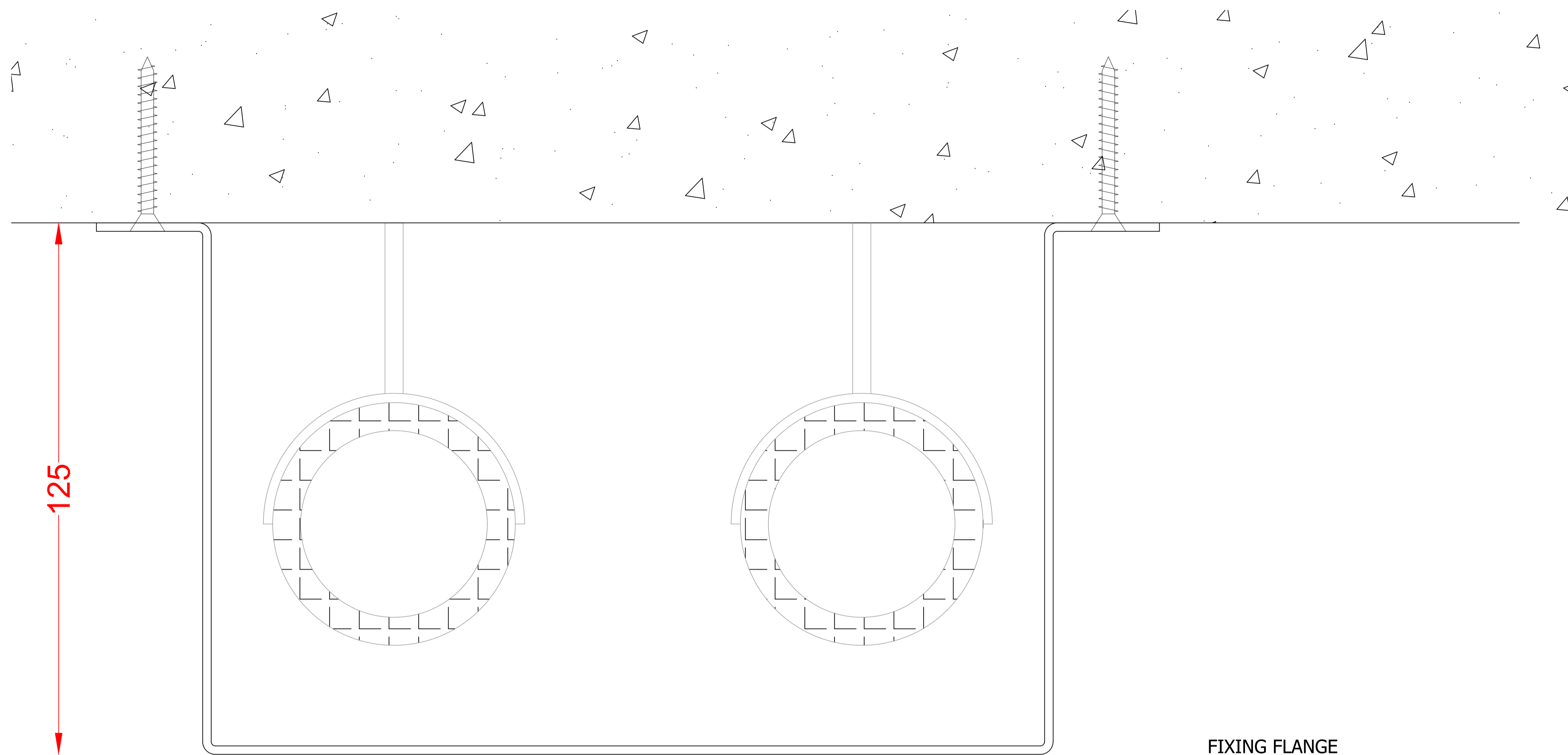
Finish / Colour:
 Polyester Powder Coating (PPC)

Jointing:
 Butt Joint; Internal or External Butt Strap / Lining collar

Accessories:
 TEK Fixings (Colour coded if required)
 Stop Ends
 Butt Strap Joint Covers
 Fixing Angles
 Access Hatches
 Perforations

Drawing References:
 CHM-F-125-200-125

PLAN / SECTION DETAIL

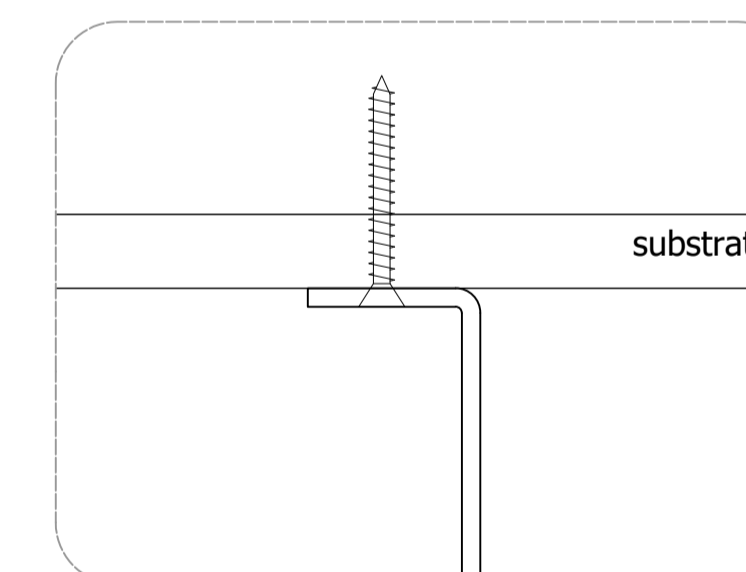


125

200

Services Void
(Pipework, Cables etc)

FIXING FLANGE
 OPTION



Suitable fixing for
 substrate -
 (to be supplied by
 installer)

FIXING FLANGE OPTION

NOTE: Fixing flange
 option requires
 completely plumb /
 level substrate to avoid
 profile distortion

PRODUCT RANGE:	Pendock Profiles		REV:	DATE:	REVISION:	INIT:	APPROVED BY:		
PRODUCT REF:	CHM-F-125-200-125						COMPANY:		
DRAWING No:	CHM-F-125-200-125						PRINT NAME:		
REVISION:							SIGNATURE:		
CREATED:	28.06.2023						DATE:		
DRAWN BY:	TECHNICAL DEPARTMENT	PAPER SIZE							
DWG SCALE(S):	NTS								
COLOUR / FINISH REF:	1.5-2mm Aluminium PPC to RAL	PROJECTION THIRD ANGLE	COPYRIGHT © 2020 ALL RIGHTS RESERVED - THIS DRAWING IS STRICTLY THE PROPERTY OF PENDOCK - (TP MANUFACTURING LTD)						



THE CASING & ENCLOSURE SPECIALIST

HALESFIELD 19
 TELFORD
 SHROPSHIRE TF7 4QT
 (t) 01952 580590 (f) 01952 587805
 sales@pendock.co.uk
 www.pendock.co.uk