

**Manufacturer:**  
 PENDOCK, Halesfield 19, Telford, Shropshire, TF7 4QT.  
**T:** 01952 580590 **E:** sales@pendock.co.uk **W:** www.pendock.co.uk

**Product Range:**  
 Pendock Profiles

**PENDOCK PROFILES**  
CASINGS FOR SERVICES

**Product Reference:**  
 CHM-F-150-300-150 (External Fixing Flange)

**Product Description:**  
 The CHM range, with a double 90 degree return, is ideal for use on external applications or where services require protection from damage / vandalism / theft etc. The CHM profile can be positioned at mid-wall vertical or horizontal locations including soffits, undercrofts, undersides of balconies, bulkheads, etc. Supplied in aluminium with a PPC finish as standard the CHM profile is non-combustible and weather resistant.

**Size:**  
 150mm x 300mm x 150mm channel section with two 90 degree angles. All sizes available - jointing / internal stiffening braces / sectional size and length subject to sheet size available, manual handling, transportation, ease of installation etc

**Length:**  
 1000mm, 1250mm, 1500mm, 2000mm 2500mm, 3000mm & 4000mm lengths available as standard. Non-standard lengths also available upon request.

**Thickness:**  
 2mm as standard - Other thickness available upon request

**Profile Angle:**  
 90 degrees

**Internal Working Space (approx):**  
 148mm x 296mm overall (2mm less than main casing dimensions)

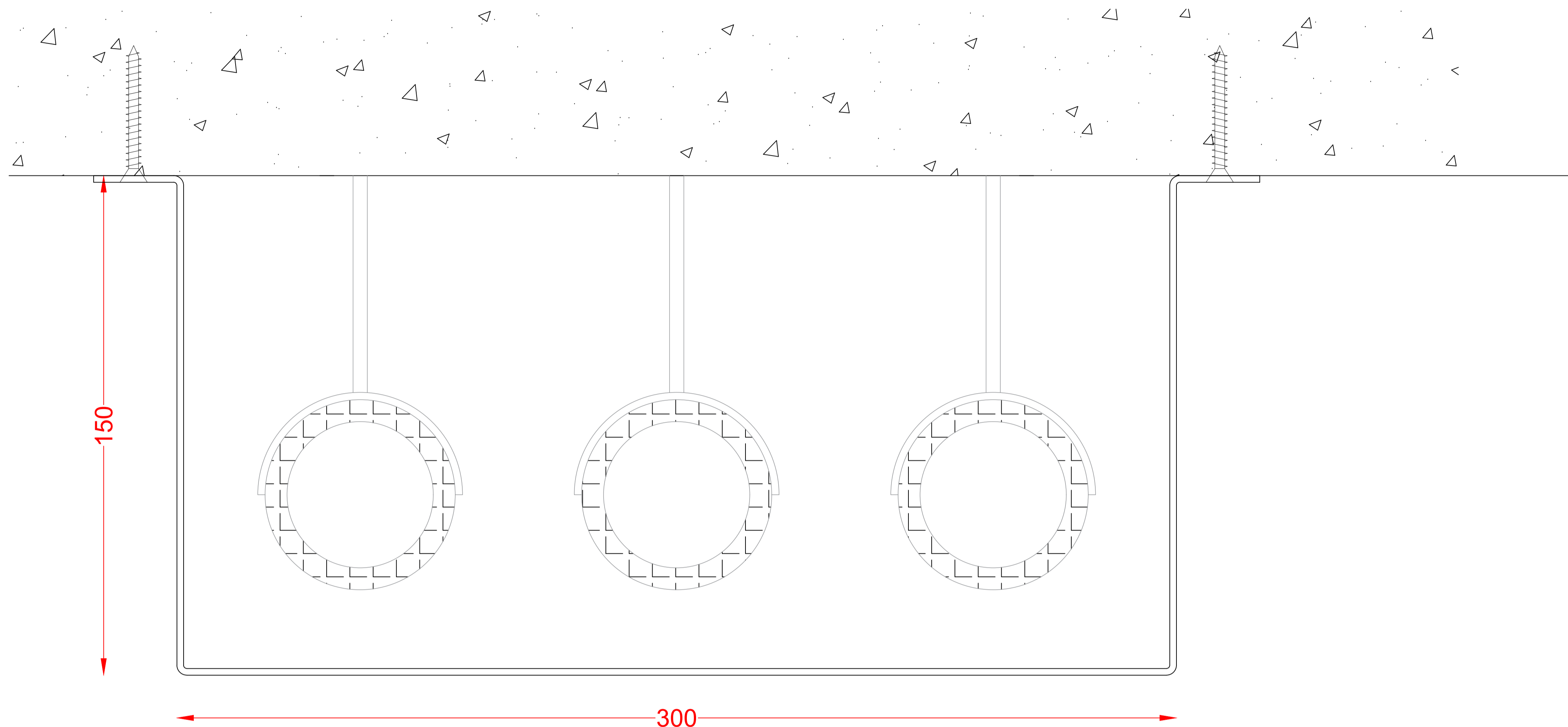
**Finish / Colour:**  
 Polyester Powder Coating (PPC)

**Jointing:**  
 Butt Joint; Internal or External Butt Strap / Lining collar

**Accessories:**  
 TEK Fixings (Colour coded if required)  
 Stop Ends  
 Butt Strap Joint Covers  
 Fixing Angles  
 Access Hatches  
 Perforations

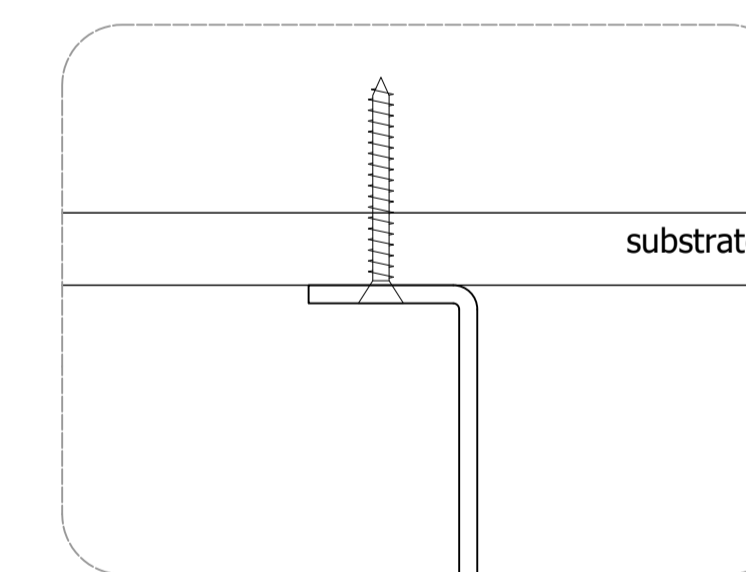
**Drawing References:**  
 CHM-F-150-300-150

PLAN / SECTION DETAIL



Services Void  
 (Pipework, Cables etc)

FIXING FLANGE  
 OPTION



Suitable fixing for substrate -  
 (to be supplied by installer)

FIXING FLANGE OPTION

NOTE: Fixing flange option requires completely plumb / level substrate to avoid profile distortion

PRODUCT RANGE:	Pendock Profiles		REV:	DATE:	REVISION:	INIT:	APPROVED BY:		
PRODUCT REF:	CHM-F-150-300-150						COMPANY:		
DRAWING No:	CHM-F-150-300-150						PRINT NAME:		
REVISION:							SIGNATURE:		
CREATED:	28.06.2023						DATE:		
DRAWN BY:	TECHNICAL DEPARTMENT	PAPER SIZE							
DWG SCALE(S):	NTS	-							
COLOUR / FINISH REF:	1.5-2mm Aluminium PPC to RAL	PROJECTION THIRD ANGLE	COPYRIGHT © 2020 ALL RIGHTS RESERVED - THIS DRAWING IS STRICTLY THE PROPERTY OF PENDOCK - (TP MANUFACTURING LTD)						



THE CASING & ENCLOSURE SPECIALIST

HALESFIELD 19  
 TELFORD  
 SHROPSHIRE TF7 4QT  
 (t) 01952 580590 (f) 01952 587805  
 sales@pendock.co.uk  
 www.pendock.co.uk