

**Manufacturer:**  
 PENDOCK, Halesfield 19, Telford, Shropshire, TF7 4QT.  
**T:** 01952 580590 **E:** sales@pendock.co.uk **W:** www.pendock.co.uk

**Product Range:**  
 Pendock Profiles



**Product Reference:**  
 CHM-F-200-325-200 (External Fixing Flange)

**Product Description:**  
 The CHM range, with a double 90 degree return, is ideal for use on external applications or where services require protection from damage / vandalism / theft etc. The CHM profile can be positioned at mid-wall vertical or horizontal locations including soffits, undercrofts, undersides of balconies, bulkheads, etc. Supplied in aluminium with a PPC finish as standard the CHM profile is non-combustible and weather resistant.

**Size:**  
 200mm x 325mm x 200mm channel section with two 90 degree angles. All sizes available - jointing / internal stiffening braces / sectional size and length subject to sheet size available, manual handling, transportation, ease of installation etc

**Length:**  
 1000mm, 1250mm, 1500mm, 2000mm 2500mm, 3000mm & 4000mm lengths available as standard. Non-standard lengths also available upon request.

**Thickness:**  
 2mm as standard - Other thickness available upon request

**Profile Angle:**  
 90 degrees

**Internal Working Space (approx):**  
 198mm x 321mm overall (2mm less than main casing dimensions)

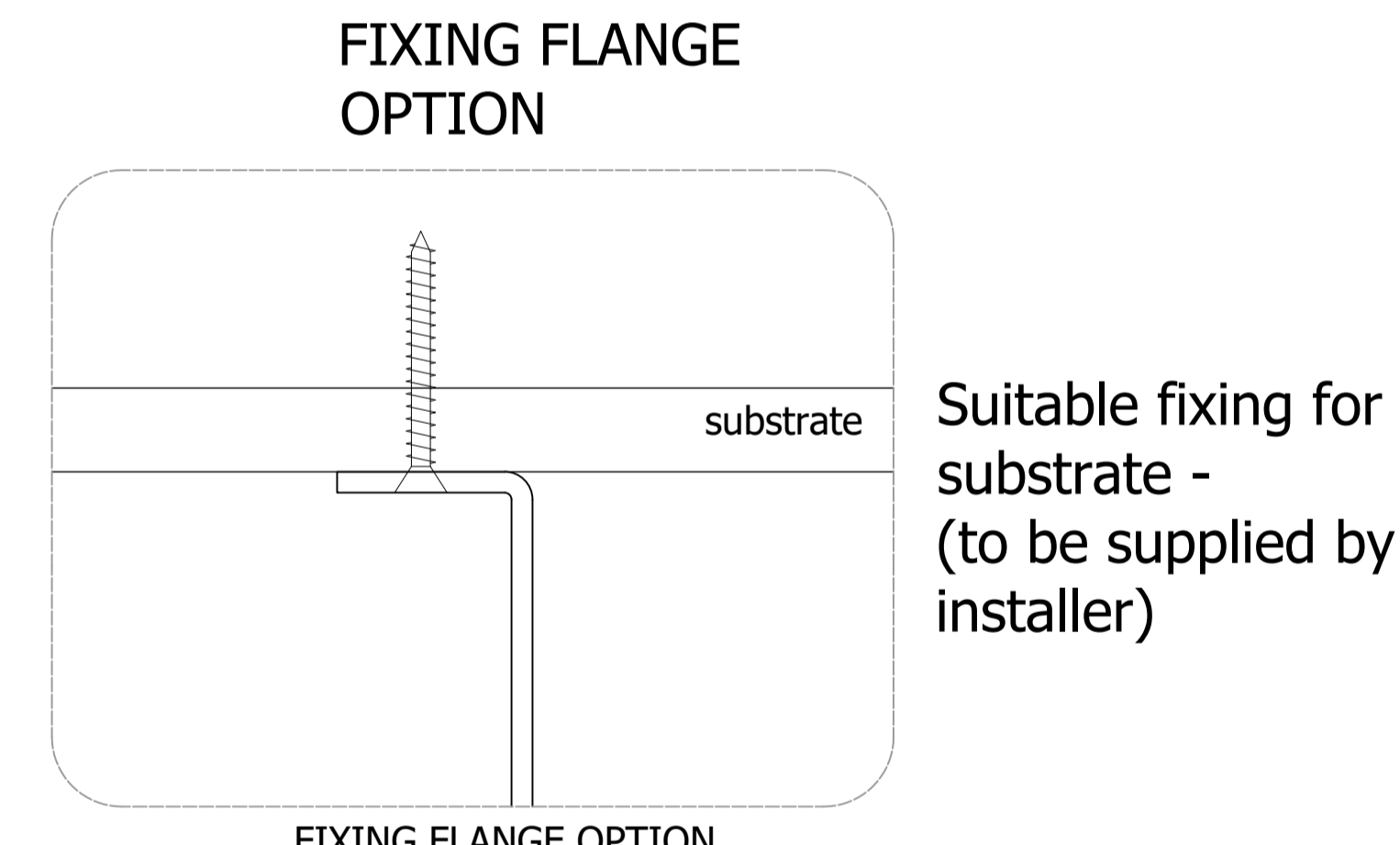
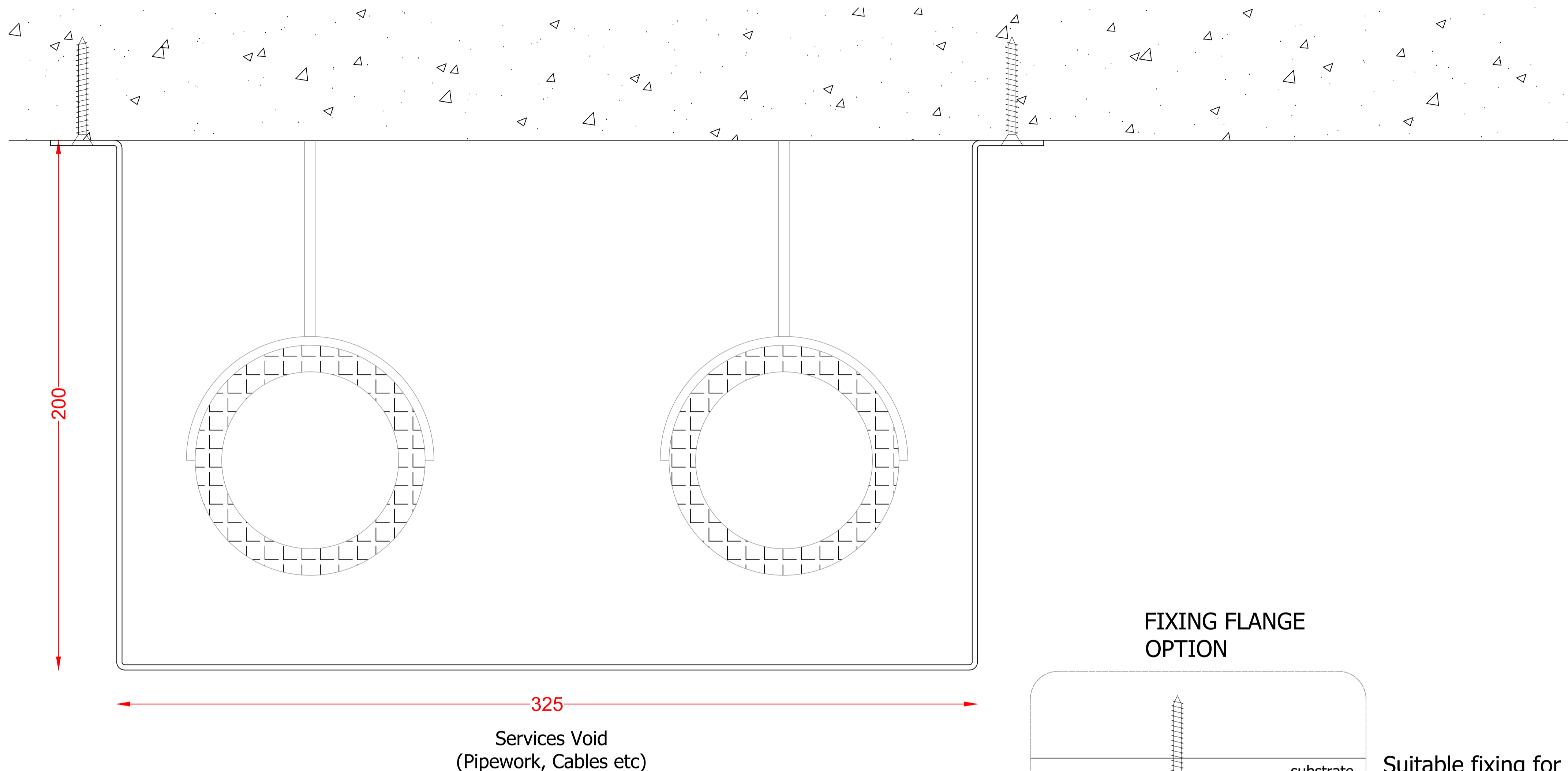
**Finish / Colour:**  
 Polyester Powder Coating (PPC)

**Jointing:**  
 Butt Joint; Internal or External Butt Strap / Lining collar

**Accessories:**  
 TEK Fixings (Colour coded if required)  
 Stop Ends  
 Butt Strap Joint Covers  
 Fixing Angles  
 Access Hatches  
 Perforations

**Drawing References:**  
 CHM-F-200-325-200

PLAN / SECTION DETAIL



**NOTE:** Fixing flange option requires completely plumb / level substrate to avoid profile distortion

|                      |                              |                        |
|----------------------|------------------------------|------------------------|
| PRODUCT RANGE:       | Pendock Profiles             |                        |
| PRODUCT REF:         | CHM-F-200-325-200            |                        |
| DRAWING No:          | CHM-F-200-325-200            |                        |
| REVISION:            |                              |                        |
| CREATED:             | 28.06.2023                   |                        |
| DRAWN BY:            | TECHNICAL DEPARTMENT         | PAPER SIZE             |
| DWG SCALE(S):        | NTS                          | -                      |
| COLOUR / FINISH REF: | 1.5-2mm Aluminium PPC to RAL | PROJECTION THIRD ANGLE |

|  |       |           |       |
|--|-------|-----------|-------|
| REV:   | DATE: | REVISION: | INIT: |
|  |       |           |       |
| COPYRIGHT © 2020 ALL RIGHTS RESERVED - THIS DRAWING IS STRICTLY THE PROPERTY OF PENDOCK - (TP MANUFACTURING LTD) |       |           |       |

|              |  |
|--------------|--|
| APPROVED BY: |  |
| COMPANY:     |  |
| PRINT NAME:  |  |
| SIGNATURE:   |  |
| DATE:        |  |

THE CASING & ENCLOSURE SPECIALIST

HALESFIELD 19  
 TELFORD  
 SHROPSHIRE TF7 4QT  
 (t) 01952 580590 (f) 01952 587805  
 sales@pendock.co.uk  
 www.pendock.co.uk