

**Manufacturer:**  
 PENDOCK, Halesfield 19, Telford, Shropshire, TF7 4QT.  
**T:** 01952 580590 **E:** sales@pendock.co.uk **W:** www.pendock.co.uk

**Product Range:**  
 Pendock Profiles

**PENDOCK PROFILES**  
CASINGS FOR SERVICES

**Product Reference:**  
 MXM-A-100-175 - Internal Fixing Angle

**Product Description:**  
 The MXM range, with a single 90 degree return, is ideal for use on external applications or where services require protection from damage / vandalism / theft etc. The MXM profile can be positioned at corner vertical or horizontal locations including walls, ceiling, soffits, undercrofts, undersides of balconies, bulkheads, etc. Supplied in aluminium with a PPC finish as standard the MXM profile is non-combustible and weather resistant.

**Size:**  
 100mm x 175mm profile section with one 90 degree angle. All sizes available - jointing / internal stiffening braces / sectional size and length subject to sheet size available, manual handling, transportation, ease of installation etc

**Length:**  
 1000mm, 1250mm, 1500mm, 2000mm 2500mm, 3000mm & 4000mm lengths available as standard. Non-standard lengths also available upon request.

**Thickness:**  
 2mm as standard - Other thickness available upon request

**Profile Angle:**  
 90 degrees

**Internal Working Space (approx):**  
 98mm x 173mm overall (2mm less than main casing dimensions)

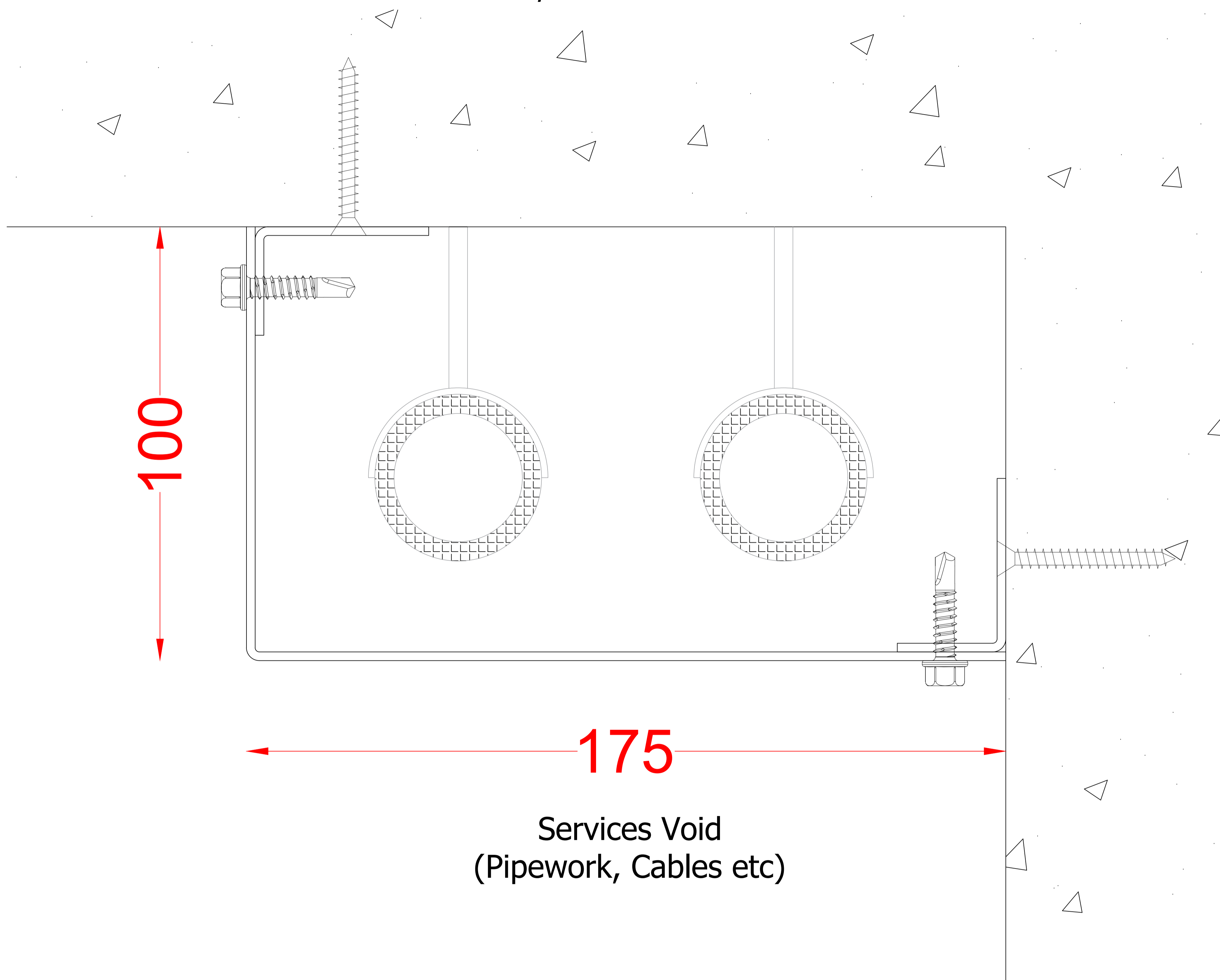
**Finish / Colour:**  
 Polyester Powder Coating (PPC)

**Jointing:**  
 Butt Joint; Internal or External Butt Strap / Lining collar

**Accessories:**  
 TEK Fixings (Colour coded if required)  
 Stop Ends  
 Butt Strap Joint Covers  
 Fixing Angles  
 Access Hatches  
 Perforations

**Drawing References:**  
 MXM-A-100-175

**PLAN / SECTION DETAIL**



PRODUCT RANGE:	Pendock Profiles	
PRODUCT REF:	MXM-A-100-175	
DRAWING No:	MXM-A-100-175	
REVISION:		
CREATED:	03.07.2023	
DRAWN BY:	TECHNICAL DEPARTMENT	PAPER SIZE
DWG SCALE(S):	NTS	-
COLOUR / FINISH REF:	1.5-2mm Aluminium PPC to RAL	PROJECTION THIRD ANGLE

REV:	DATE:	REVISION:	INIT:
COPYRIGHT © 2020 ALL RIGHTS RESERVED - THIS DRAWING IS STRICTLY THE PROPERTY OF PENDOCK - (TP MANUFACTURING LTD)			

APPROVED BY:	
COMPANY:	
PRINT NAME:	
SIGNATURE:	
DATE:	

**PENDOCK**  
THE CASING & ENCLOSURE SPECIALIST

HALESFIELD 19  
 TELFORD  
 SHROPSHIRE TF7 4QT  
 (t) 01952 580590 (f) 01952 587805  
 sales@pendock.co.uk  
 www.pendock.co.uk