

Manufacturer:
 PENDOCK, Halesfield 19, Telford, Shropshire, TF7 4QT.
T: 01952 580590 **E:** sales@pendock.co.uk **W:** www.pendock.co.uk

Product Range: **PENDOCK PROFILES**
 Pendock Profiles CASINGS FOR SERVICES

Product Reference:
 CH 150x300x150

Product Description:
 The CH range, with a double 90 degree return, is ideal for use at mid-wall vertical or horizontal locations including bulkheads, to hide cables or pipework. Supplied in pre-formed plywood with white craft paper finish as standard or a wide range of High Pressure Laminate (HPL) finishes upon request.

Size:
 150mm x 300 x 150mm channel section with two 90 degree angles.

Length:
 2500mm & 3000mm lengths available.

Thickness:
 8mm

Profile Angle:
 90 degrees

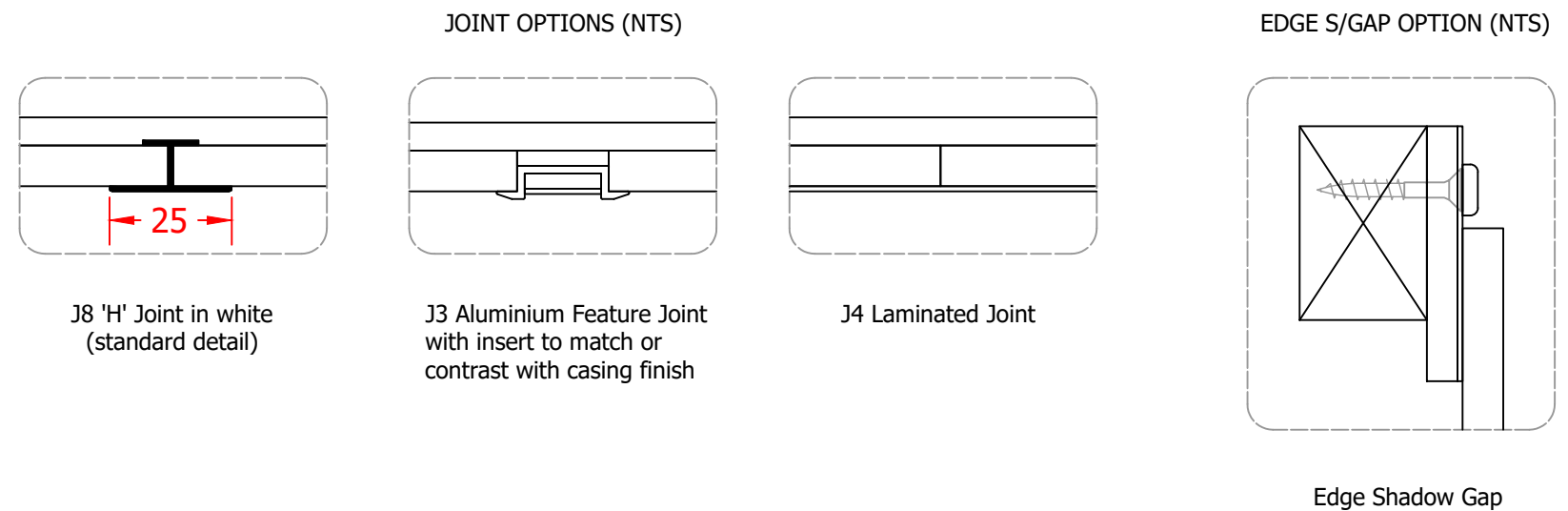
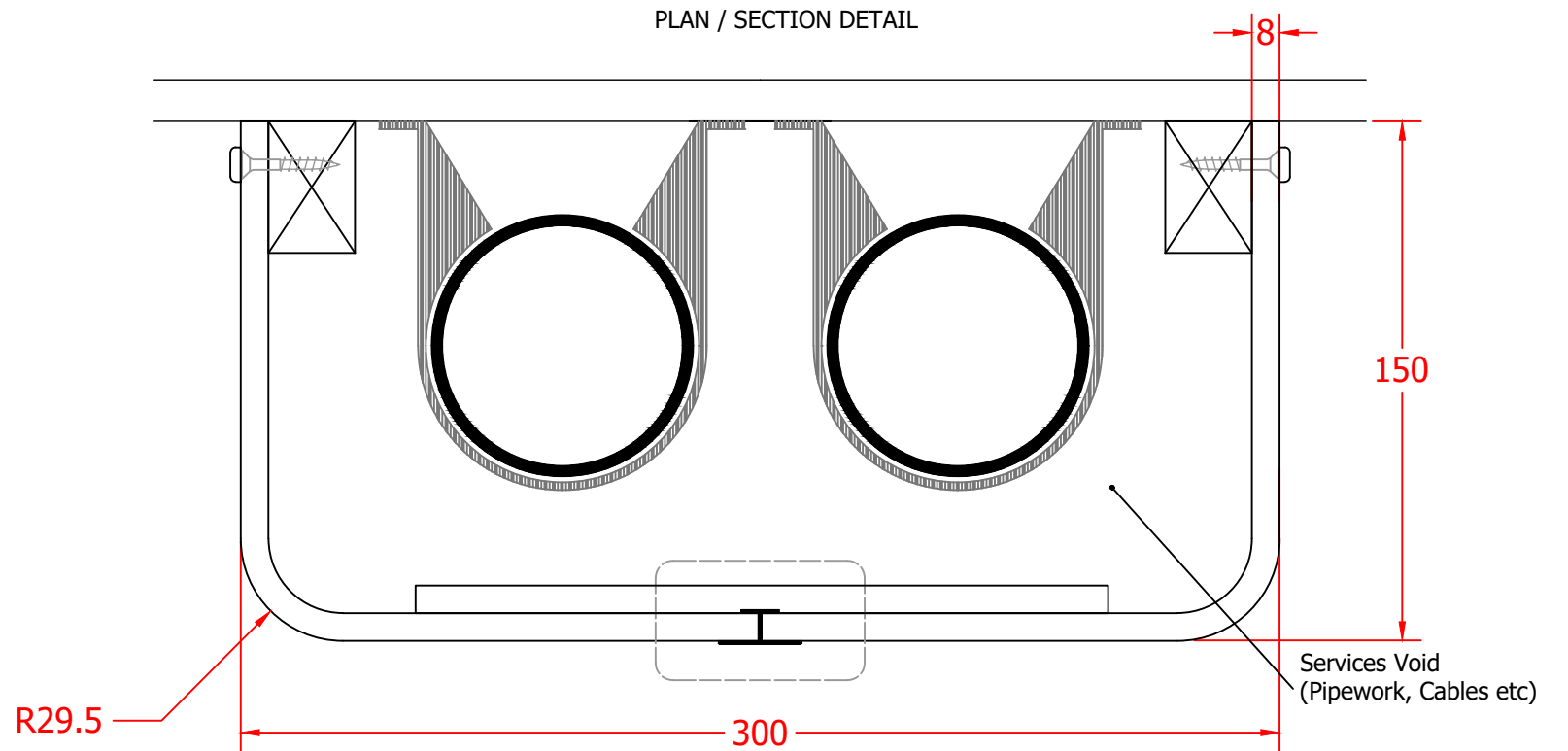
Internal Working Space (approx):
 134mm x 284mm overall

Finish / Colour:
 White Craft Paper / High Pressure Laminate (HPL)

Jointing:
 J8 'H' Joint in white (standard detail); J3 Aluminium Feature Joint; J4 Laminated Joint;

- Accessories:**
 Screws & White Caps
 Internal Corners
 External Corners
 Stop Ends
 Butt Joint Covers
 Battens
 Button Vents (white)
 Access Hatches
 Edge Shadow Gaps

Drawing References:
 CH 150x300x150



PRODUCT RANGE:	PENDOCK PROFILES	
PRODUCT REF:	CH150x300x150	
DRAWING No:	CH150x300x150	
REVISION:	-	
CREATED:	1.1.20	
DRAWN BY:	TECHNICAL DEPARTMENT	PAPER SIZE
DWG SCALE(S):	NTS	
COLOUR / FINISH REF:	WHITE CRAFT PAPER / LAMINATE (HPL)	PROJECTION THIRD ANGLE

REV:	DATE:	REVISION:	INIT:
COPYRIGHT © 2020 ALL RIGHTS RESERVED - THIS DRAWING IS STRICTLY THE PROPERTY OF PENDOCK - (TP MANUFACTURING LTD)			

APPROVED BY:
COMPANY:
PRINT NAME:
SIGNATURE:
DATE:

PENDOCK
THE CASING & ENCLOSURE SPECIALIST

HALESFIELD 19
 TELFORD
 SHROPSHIRE TF7 4QT
 (t) 01952 580590 (f) 01952 587805
 sales@pendock.co.uk
 www.pendock.co.uk