

Manufacturer:
 PENDOCK, Halesfield 19, Telford, Shropshire, TF7 4QT.
T: 01952 580590 **E:** sales@pendock.co.uk **W:** www.pendock.co.uk

Product Range: **PENDOCK PROFILES**
 Pendock Profiles

Product Reference:
 CH BESPOKE - ???x???x???

Product Description:
 The CH range, with a double 90 degree return, is ideal for use at mid-wall vertical or horizontal locations including bulkheads, to hide cables or pipework. Supplied in pre-formed plywood with white craft paper finish as standard or a wide range of High Pressure Laminate (HPL) finishes upon request.

Size:
 ???mm x ???mm x ???mm channel section with two 90 degree angles.

Length:
 2500mm & 3000mm lengths available.

Thickness:
 8mm

Profile Angle:
 90 degrees

Internal Working Space (approx):
 Main Casing Dims minus 16mm off each dimension

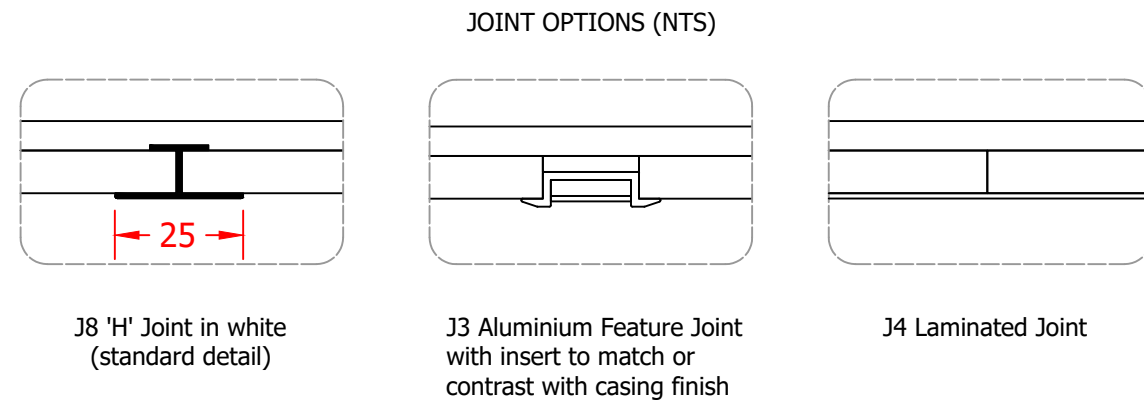
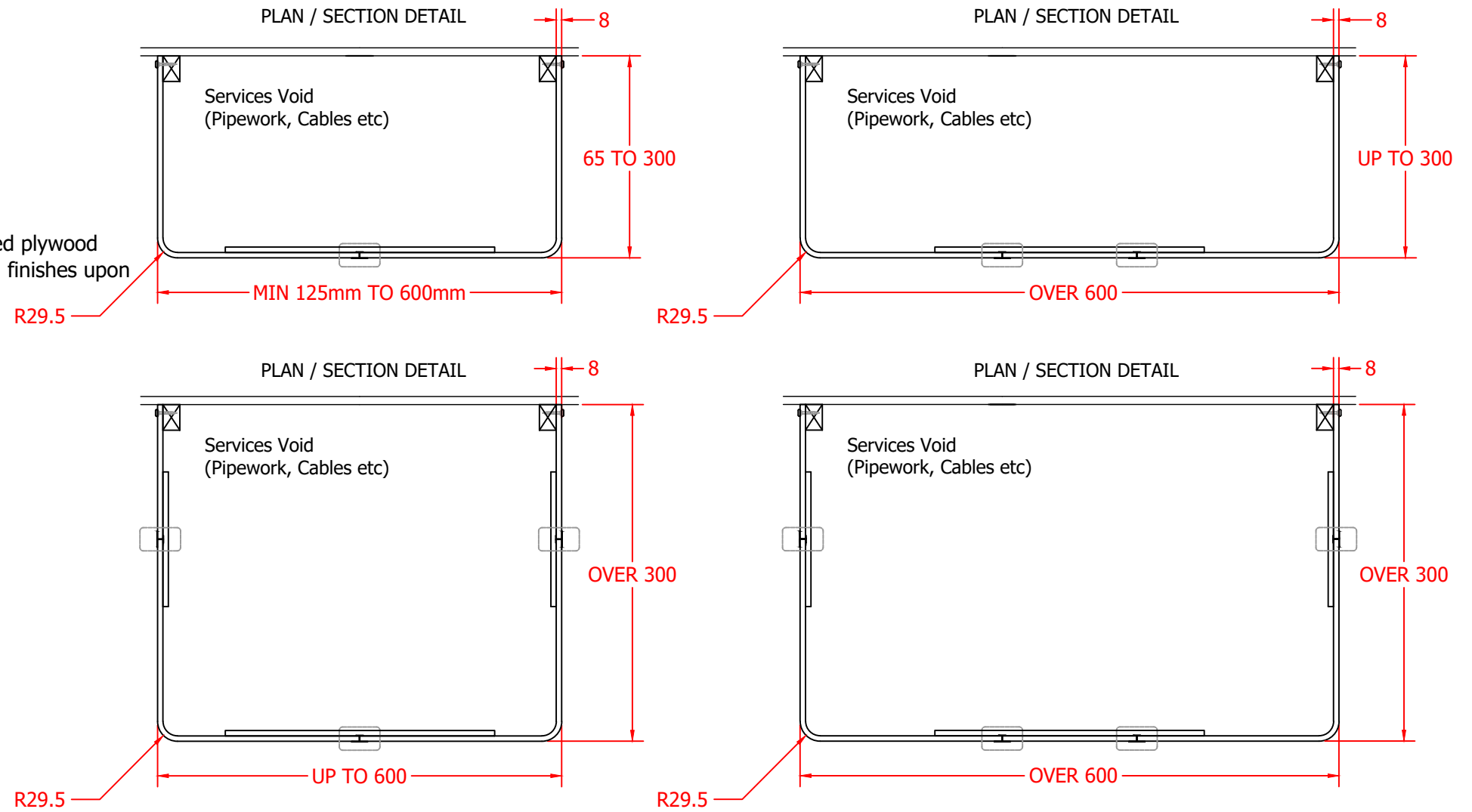
Finish / Colour:
 White Craft Paper / High Pressure Laminate (HPL)

Jointing:
 J8 'H' Joint in white (standard detail); J3 Aluminium Feature Joint; J4 Laminated Joint;

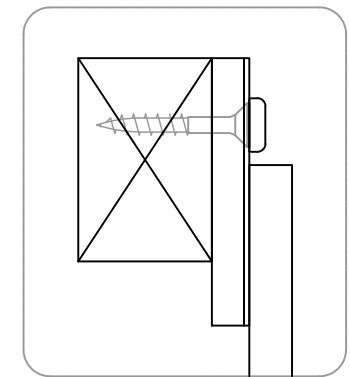
- Accessories:**
- Screws & White Caps
 - Internal Corners
 - External Corners
 - Stop Ends
 - Butt Joint Covers
 - Battens
 - Button Vents (white)
 - Access Hatches
 - Edge Shadow Gaps

Drawing References:
 CH BESPOKE

CH OPTIONS



EDGE S/GAP OPTION (NTS)



Edge Shadow Gap

PRODUCT RANGE:	PENDOCK PROFILES		REV:	DATE:	REVISION:	INIT:	APPROVED BY:		
PRODUCT REF:	CH BESPOKE						COMPANY:		
DRAWING No:	CH BESPOKE						PRINT NAME:		
REVISION:	-						SIGNATURE:		
CREATED:	1.1.20						DATE:		
DRAWN BY:	TECHNICAL DEPARTMENT	PAPER SIZE							
DWG SCALE(S):	NTS								
COLOUR / FINISH REF:	WHITE CRAFT PAPER / LAMINATE (HPL)	PROJECTION THIRD ANGLE	COPYRIGHT © 2020 ALL RIGHTS RESERVED - THIS DRAWING IS STRICTLY THE PROPERTY OF PENDOCK - (TP MANUFACTURING LTD)						

PENDOCK
 THE CASING & ENCLOSURE SPECIALIST
 HALESFIELD 19
 TELFORD
 SHROPSHIRE TF7 4QT
 (t) 01952 580590 (f) 01952 587805
 sales@pendock.co.uk
 www.pendock.co.uk