

NOTE: ALL SPRINKLER COMPONENTS BY OTHERS

Manufacturer:
 PENDOCK, Halesfield 19, Telford, Shropshire, TF7 4QT.
 T: 01952 580590 E: sales@pendock.co.uk W: www.pendock.co.uk

Product Range: **PENDOCK PROFILES**
 Pendock Profiles CASINGS FOR SERVICES

Product Reference:
 MXF 150x175

Product Description:
 The MXF range, with a single 90 degree return, is specifically designed to enclose fire sprinkler pipework. Supplied in pre-formed plywood with white craft paper finish and a range of accessories to suit.

Size:
 150mm x 175mm; 90 degree profile (other sizes available as required and to suit sprinkler head type and installation method)

Length:
 2500mm

Thickness:
 5mm (8mm also available)

Profile Angle:
 90 degrees

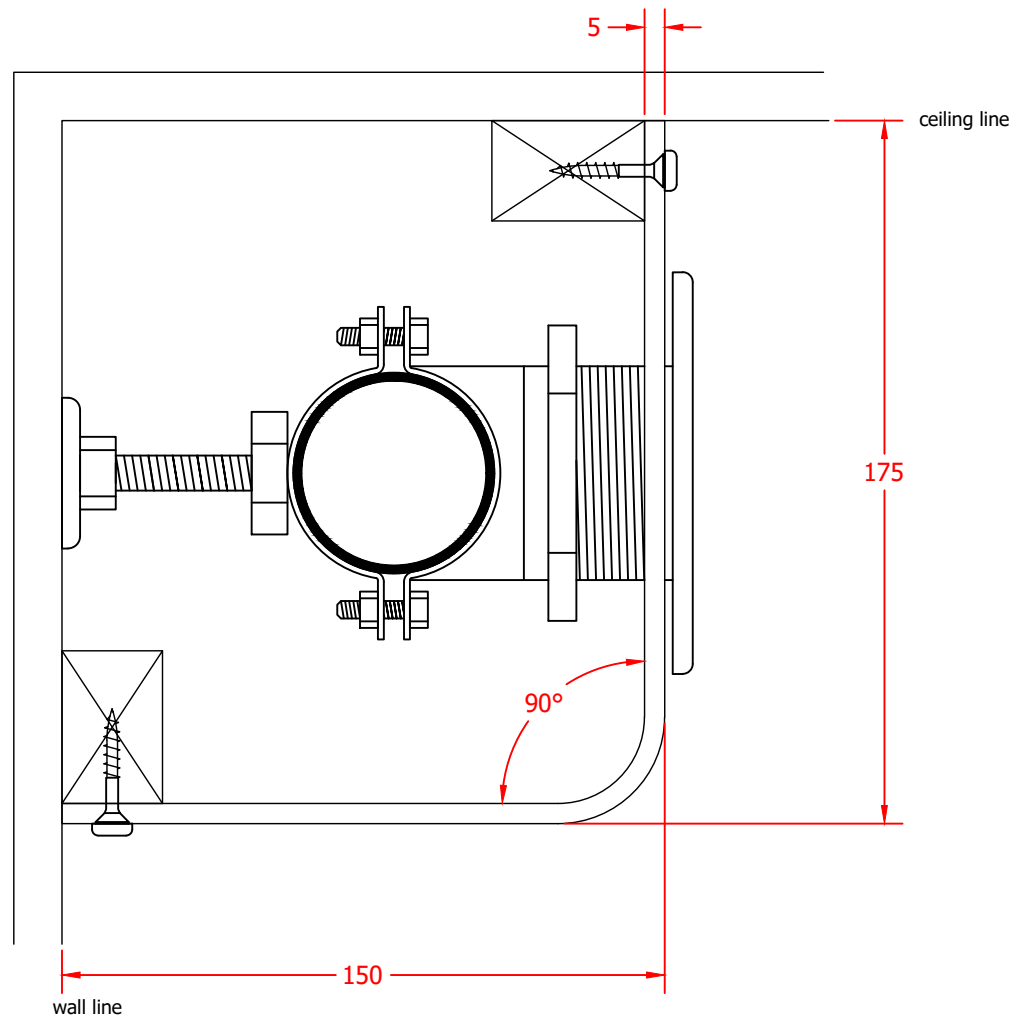
Internal Working Space (approx):
 145mm x 170mm overall

Finish / Colour:
 White Craft Paper

Jointing:
 Butt Joint (see accessories)

- Accessories:**
- Screws & White Caps
 - Internal Corners
 - External Corners
 - Stop Ends
 - Butt Joint Covers
 - Battens
 - Button Vents (white)
 - Access Hatches
 - Beam Casings
 - Patresses

Drawing References:
 MXF150x175



PRODUCT RANGE:	PENDOCK PROFILES		REV:	DATE:	REVISION:	INIT:	APPROVED BY:	
PRODUCT REF:	MXF150x175						COMPANY:	
DRAWING No:	MXF150x175						PRINT NAME:	
REVISION:	-						SIGNATURE:	
CREATED:	1.1.20						DATE:	
DRAWN BY:	TECHNICAL DEPARTMENT	PAPER SIZE						
DWG SCALE(S):	NTS							
COLOUR / FINISH REF:	WHITE CRAFT PAPER FINISH		PROJECTION THIRD ANGLE 				COPYRIGHT © 2020 ALL RIGHTS RESERVED - THIS DRAWING IS STRICTLY THE PROPERTY OF PENDOCK - (TP MANUFACTURING LTD)	

PENDOCK
THE CASING & ENCLOSURE SPECIALIST

HALESFIELD 19
 TELFORD
 SHROPSHIRE TF7 4QT
 (t) 01952 580590 (f) 01952 587805
 sales@pendock.co.uk
 www.pendock.co.uk