

NOTE: ALL SPRINKLER COMPONENTS BY OTHERS

Manufacturer:
 PENDOCK, Halesfield 19, Telford, Shropshire, TF7 4QT.
 T: 01952 580590 E: sales@pendock.co.uk W: www.pendock.co.uk

Product Range: **PENDOCK PROFILES**
 Pendock Profiles CASINGS FOR SERVICES

Product Reference:
 MXF150x275

Product Description:
 The MXF range, with a single 90 degree return, is specifically designed to enclose fire sprinkler pipework. Supplied in pre-formed plywood with white craft paper finish and a range of accessories to suit.

Size:
 150mm x 275mm; 90 degree profile (other sizes available as required and to suit sprinkler head type and installation method)

Length:
 2500mm

Thickness:
 8mm

Profile Angle:
 90 degrees

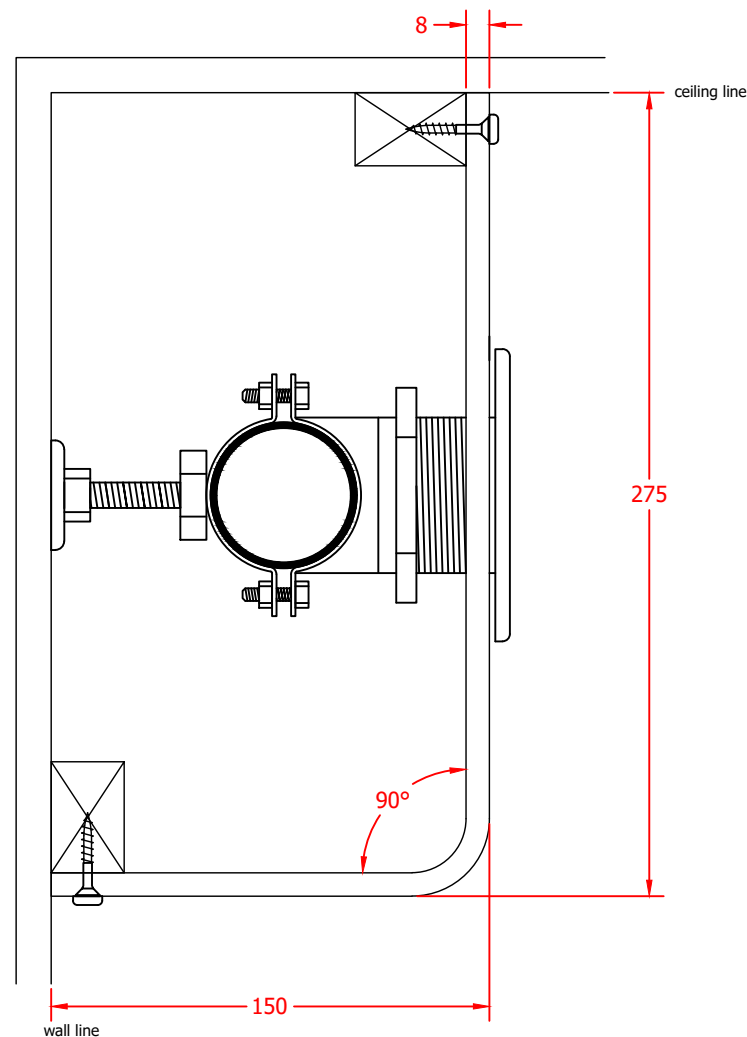
Internal Working Space (approx):
 142mm x 267mm overall

Finish / Colour:
 White Craft Paper

Jointing:
 Butt Joint (see accessories)

Accessories:
 Screws & White Caps
 Internal Corners
 External Corners
 Stop Ends
 Butt Joint Covers
 Battens
 Button Vents (white)
 Access Hatches
 Beam Casings
 Patresses

Drawing References:
 MXF150x275



PRODUCT RANGE:	PENDOCK PROFILES		REV:	DATE:	REVISION:	INIT:	APPROVED BY:		
PRODUCT REF:	MXF150x275						COMPANY:		
DRAWING No:	MXF150x275						PRINT NAME:		
REVISION:	-						SIGNATURE:		
CREATED:	28.02.2024						DATE:		
DRAWN BY:	TECHNICAL DEPARTMENT	PAPER SIZE							
DWG SCALE(S):	NTS								
COLOUR / FINISH REF:	WHITE CRAFT PAPER FINISH	PROJECTION THIRD ANGLE	COPYRIGHT © 2020 ALL RIGHTS RESERVED - THIS DRAWING IS STRICTLY THE PROPERTY OF PENDOCK - (TP MANUFACTURING LTD)						

PENDOCK
THE CASING & ENCLOSURE SPECIALIST
 HALESFIELD 19
 TELFORD
 SHROPSHIRE TF7 4QT
 (t) 01952 580590 (f) 01952 587805
 sales@pendock.co.uk
 www.pendock.co.uk