

NOTE: ALL SPRINKLER COMPONENTS BY OTHERS

**Manufacturer:**  
 PENDOCK, Halesfield 19, Telford, Shropshire, TF7 4QT.  
 T: 01952 580590 E: sales@pendock.co.uk W: www.pendock.co.uk

**Product Range:** **PENDOCK PROFILES**  
 Pendock Profiles CASINGS FOR SERVICES

**Product Reference:**  
 MXF150x300

**Product Description:**  
 The MXF range, with a single 90 degree return, is specifically designed to enclose fire sprinkler pipework. Supplied in pre-formed plywood with white craft paper finish and a range of accessories to suit.

**Size:**  
 150mm x 300mm; 90 degree profile (other sizes available as required and to suit sprinkler head type and installation method)

**Length:**  
 2500mm

**Thickness:**  
 8mm

**Profile Angle:**  
 90 degrees

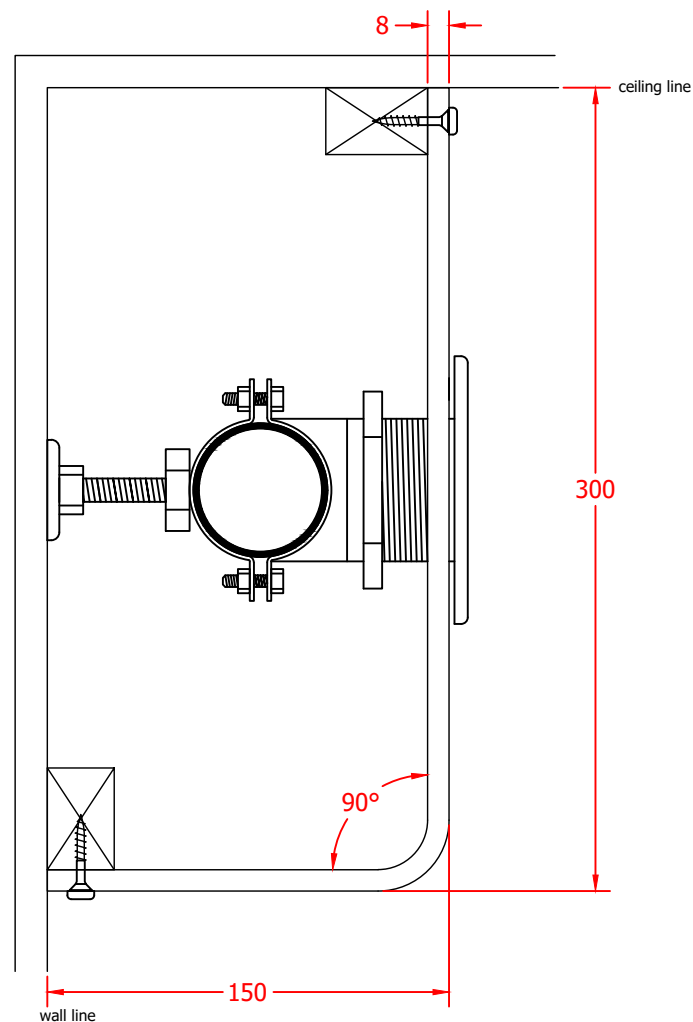
**Internal Working Space (approx):**  
 142mm x 292mm overall

**Finish / Colour:**  
 White Craft Paper

**Jointing:**  
 Butt Joint (see accessories)

- Accessories:**
- Screws & White Caps
  - Internal Corners
  - External Corners
  - Stop Ends
  - Butt Joint Covers
  - Battens
  - Button Vents (white)
  - Access Hatches
  - Beam Casings
  - Patresses

**Drawing References:**  
 MXF150x300



PRODUCT RANGE:	PENDOCK PROFILES		REV:	DATE:	REVISION:	INIT:	APPROVED BY:		
PRODUCT REF:	MXF150x300						COMPANY:		
DRAWING No:	MXF150x300						PRINT NAME:		
REVISION:	-						SIGNATURE:		
CREATED:	28.02.2024						DATE:		
DRAWN BY:	TECHNICAL DEPARTMENT	PAPER SIZE							
DWG SCALE(S):	NTS								
COLOUR / FINISH REF:	WHITE CRAFT PAPER FINISH	PROJECTION THIRD ANGLE	COPYRIGHT © 2020 ALL RIGHTS RESERVED - THIS DRAWING IS STRICTLY THE PROPERTY OF PENDOCK - (TP MANUFACTURING LTD)						

**PENDOCK**  
THE CASING & ENCLOSURE SPECIALIST  
 HALESFIELD 19  
 TELFORD  
 SHROPSHIRE TF7 4QT  
 (t) 01952 580590 (f) 01952 587805  
 sales@pendock.co.uk  
 www.pendock.co.uk