

Manufacturer:
 PENDOCK, Halesfield 19, Telford, Shropshire, TF7 4QT.
T: 01952 580590 **E:** sales@pendock.co.uk **W:** www.pendock.co.uk

Product Range:
 Pendock Profiles

Product Reference:
 MXV 150 x 150

Product Description:
 The MXV range, with a single 90 degree return, is specifically designed to enclose Positive Input Ventilation. Supplied in pre-formed plywood with white craft paper finish and a range of accessories to suit.

Size:
 150mm x 150mm; 90 degree profile (other sizes available as required and to suit ventilation systems and installation method)

Length:
 2500mm

Thickness:
 8mm (5mm also available)

Profile Angle:
 90 degrees

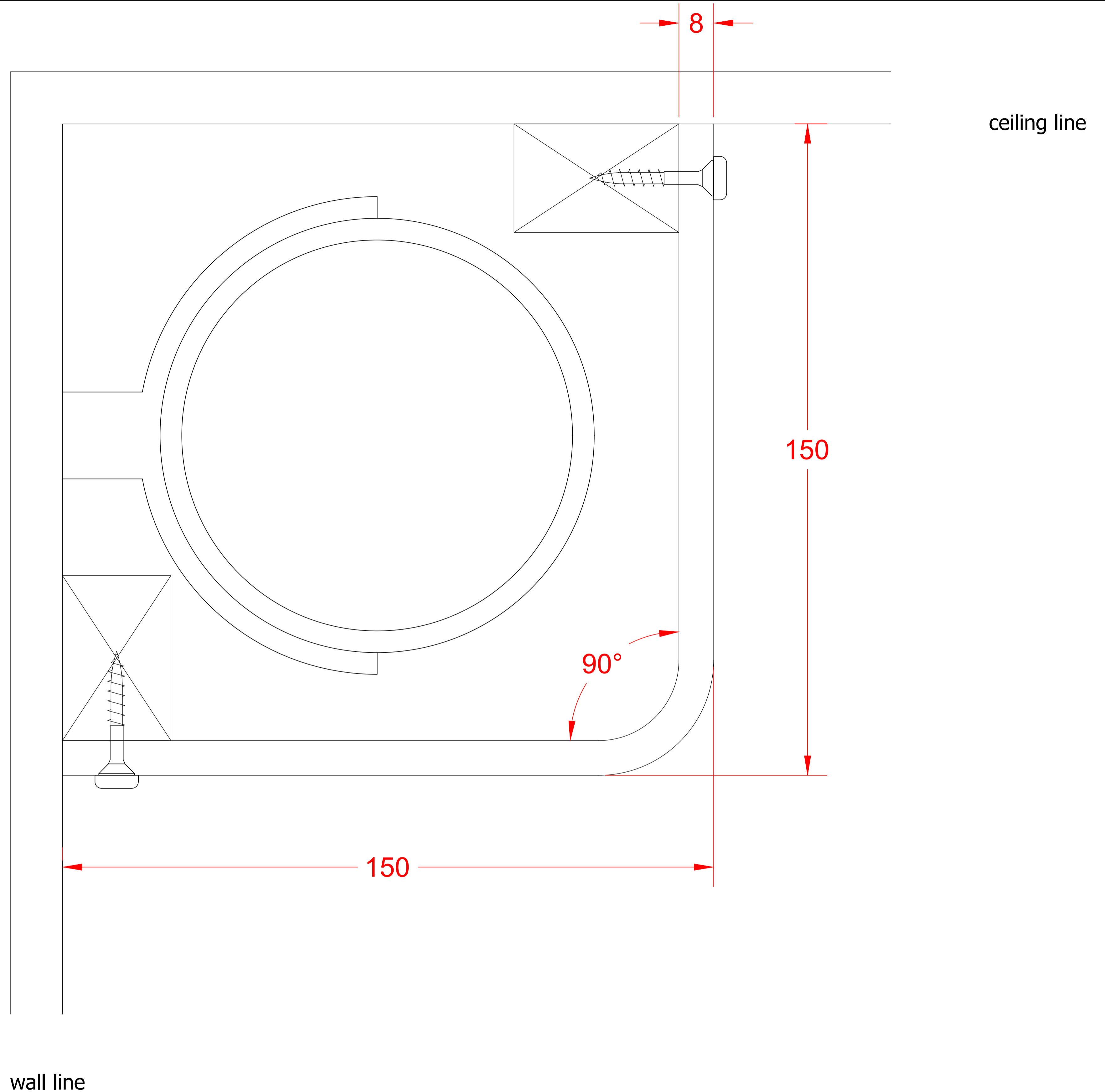
Internal Working Space (approx):
 142mm x 142mm overall

Finish / Colour:
 White Craft Paper

Jointing:
 Butt Joint (see accessories)

- Accessories:**
- Screws & White Caps
 - Internal Corners
 - External Corners
 - Stop Ends
 - Butt Joint Covers
 - Battens
 - Button Vents (white)
 - Access Hatches
 - Beam Casings
 - Patresses

Drawing References:
 MXV 150 x 150



PRODUCT RANGE:	Pendock Profiles	
PRODUCT REF:	MXV 150 x 150	
DRAWING No:	MXV 150 x 150	
REVISION:		
CREATED:	24.05.2023	
DRAWN BY:	TECHNICAL DEPARTMENT	PAPER SIZE
DWG SCALE(S):	NTS	-
COLOUR / FINISH REF:	8mm White Craft Paper Finish	PROJECTION THIRD ANGLE

REV:	DATE:	REVISION:	INIT:
COPYRIGHT © 2020 ALL RIGHTS RESERVED - THIS DRAWING IS STRICTLY THE PROPERTY OF PENDOCK - (TP MANUFACTURING LTD)			

APPROVED BY:	
COMPANY:	
PRINT NAME:	
SIGNATURE:	
DATE:	

PENDOCK
THE CASING & ENCLOSURE SPECIALIST

HALESFIELD 19
 TELFORD
 SHROPSHIRE TF7 4QT
 (t) 01952 580590 (f) 01952 587805
 sales@pendock.co.uk
 www.pendock.co.uk