

**Manufacturer:**  
 PENDOCK, Halesfield 19, Telford, Shropshire, TF7 4QT.  
**T:** 01952 580590 **E:** sales@pendock.co.uk **W:** www.pendock.co.uk

**Product Range:**  
 Pendock Profiles

**Product Reference:**  
 MXV 150 x 200

**Product Description:**  
 The MXV range, with a single 90 degree return, is specifically designed to enclose Positive Input Ventilation. Supplied in pre-formed plywood with white craft paper finish and a range of accessories to suit.

**Size:**  
 150mm x 200mm; 90 degree profile (other sizes available as required and to suit ventilation systems and installation method)

**Length:**  
 2500mm

**Thickness:**  
 5mm (8mm also available)

**Profile Angle:**  
 90 degrees

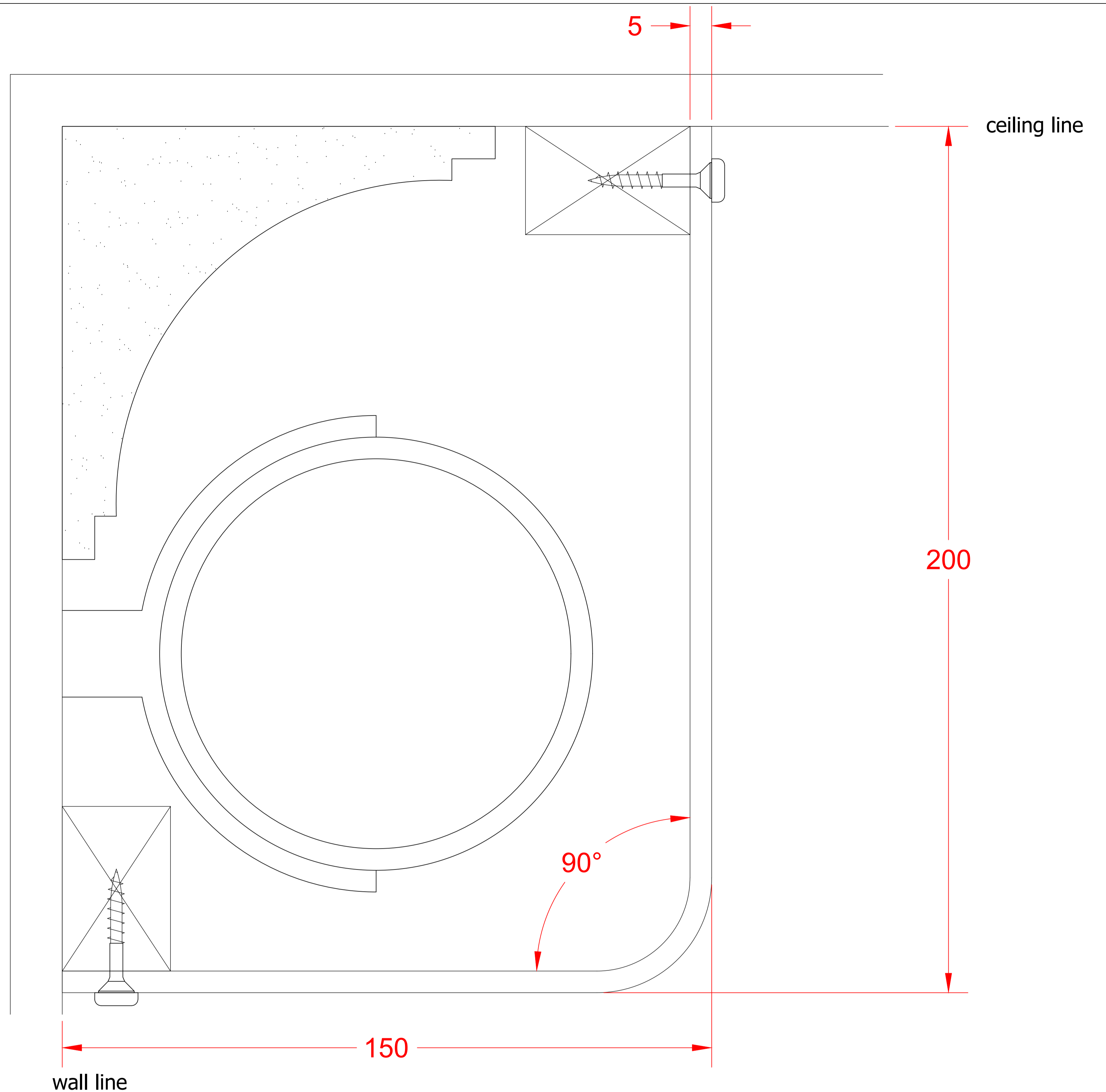
**Internal Working Space (approx):**  
 145mm x 195mm overall

**Finish / Colour:**  
 White Craft Paper

**Jointing:**  
 Butt Joint (see accessories)

- Accessories:**
- Screws & White Caps
  - Internal Corners
  - External Corners
  - Stop Ends
  - Butt Joint Covers
  - Battens
  - Button Vents (white)
  - Access Hatches
  - Beam Casings
  - Patresses

**Drawing References:**  
 MXV 150 x 200



PRODUCT RANGE:	Pendock Profiles		REV:	DATE:	REVISION:	INIT:	APPROVED BY:		
PRODUCT REF:	MXV 150 x 200						COMPANY:		
DRAWING No:	MXV 150 x 200						PRINT NAME:		
REVISION:							SIGNATURE:		
CREATED:	24.05.2023						DATE:		
DRAWN BY:	TECHNICAL DEPARTMENT	PAPER SIZE							
DWG SCALE(S):	NTS	-							
COLOUR / FINISH REF:	5-8mm White Craft Paper Finish	PROJECTION THIRD ANGLE	COPYRIGHT © 2020 ALL RIGHTS RESERVED - THIS DRAWING IS STRICTLY THE PROPERTY OF PENDOCK - (TP MANUFACTURING LTD)						

**PENDOCK**  
 THE CASING & ENCLOSURE SPECIALIST

HALESFIELD 19  
 TELFORD  
 SHROPSHIRE TF7 4QT  
 (t) 01952 580590 (f) 01952 587805  
 sales@pendock.co.uk  
 www.pendock.co.uk