

Manufacturer:

PENDOCK, Halesfield 19, Telford, Shropshire, TF7 4QT.
T: 01952 580590 **E:** sales@pendock.co.uk **W:** www.pendock.co.uk

Product Range:

P E N D O C K P R O F I L E S

Pendock Profiles

CASINGS FOR SERVICES

Product Reference:

TK 75x145

Product Description:

The TK range, with a single 115 degree return, is ideal for use at skirting level or at corners to hide cables or pipework. Supplied in pre-formed plywood with white craft paper finish

Size:

75mm x 145mm angle section with one sloping edge @ 115 degrees

Length:

2500mm

Thickness:

5mm

Profile Angle:

115 degrees

Internal Working Space (approx):

70mm x 100mm overall

Finish / Colour:

White Craft Paper

Jointing:

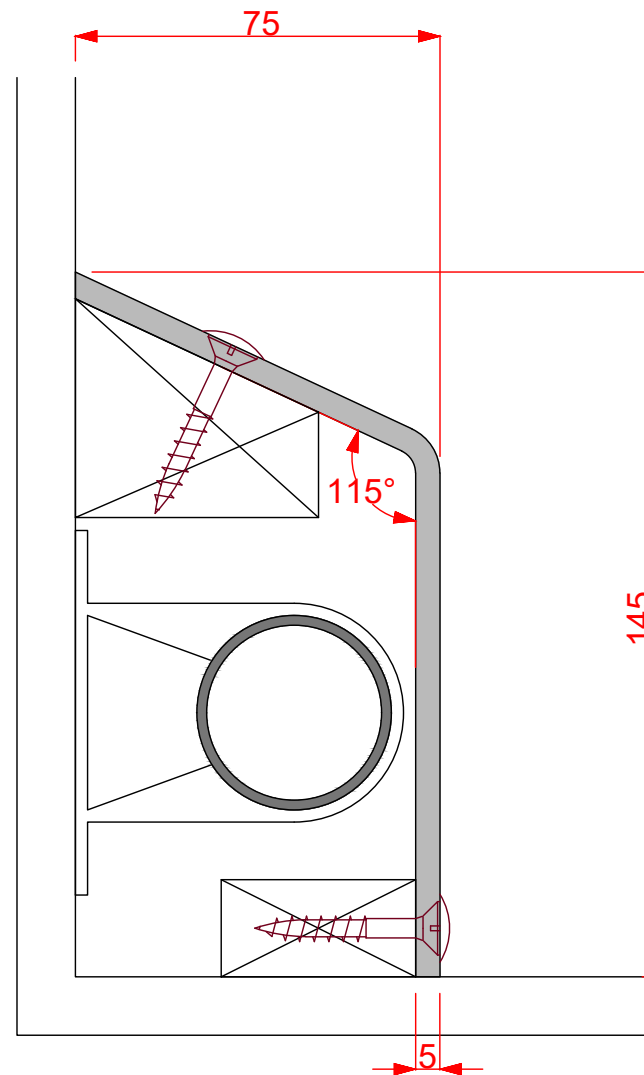
Butt Joint (see accessories)

Accessories:

- Screws & White Caps
- Internal Corners
- External Corners
- Stop Ends
- Butt Joint Covers
- Battens
- Button Vents (white)

Drawing References:

TK75x145



| | | | | | | | | | |
|----------------------|--------------------------|------------------------|--|-------|-----------|-------|--------------|--|--|
| PRODUCT RANGE: | PENDOCK PROFILES | | REV: | DATE: | REVISION: | INIT: | APPROVED BY: | | |
| PRODUCT REF: | TK75x145 | | | | | | COMPANY: | | |
| DRAWING No: | TK75x145 | | | | | | PRINT NAME: | | |
| REVISION: | - | | | | | | SIGNATURE: | | |
| CREATED: | 1.1.20 | | | | | | DATE: | | |
| DRAWN BY: | TECHNICAL DEPARTMENT | PAPER SIZE | | | | | | | |
| DWG SCALE(S): | NTS | | | | | | | | |
| COLOUR / FINISH REF: | WHITE CRAFT PAPER FINISH | PROJECTION THIRD ANGLE | COPYRIGHT © 2020 ALL RIGHTS RESERVED - THIS DRAWING IS STRICTLY THE PROPERTY OF PENDOCK - (TP MANUFACTURING LTD) | | | | | | |

P E N D O C K
 THE CASING & ENCLOSURE SPECIALIST
 HALESFIELD 19
 TELFORD
 SHROPSHIRE TF7 4QT
 (t) 01952 580590 (f) 01952 587805
 sales@pendock.co.uk
 www.pendock.co.uk