

Manufacturer:

PENDOCK, Halesfield 19, Telford, Shropshire, TF7 4QT.
T: 01952 580590 **E:** sales@pendock.co.uk **W:** www.pendock.co.uk

Product Range:

P E N D O C K P R O F I L E S

Pendock Profiles

CASINGS FOR SERVICES

Product Reference:

TK 75x180

Product Description:

The TK range, with a single 115 degree return, is ideal for use at skirting level or at corners to hide cables or pipework. Supplied in pre-formed plywood with white craft paper finish

Size:

75mm x 180mm angle section with one sloping edge @ 115 degrees

Length:

2500mm

Thickness:

5mm

Profile Angle:

115 degrees

Internal Working Space (approx):

70mm x 140mm overall

Finish / Colour:

White Craft Paper

Jointing:

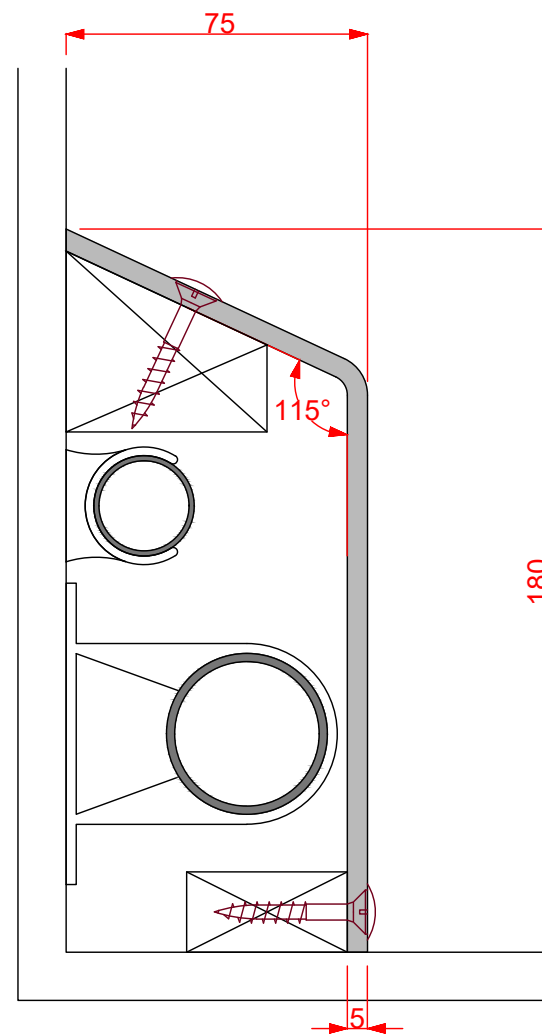
Butt Joint (see accessories)

Accessories:

- Screws & White Caps
- Internal Corners
- External Corners
- Stop Ends
- Butt Joint Covers
- Battens
- Button Vents (white)

Drawing References:

TK75x180



PRODUCT RANGE:	PENDOCK PROFILES		REV:	DATE:	REVISION:	INIT:	APPROVED BY:		
PRODUCT REF:	TK75x180						COMPANY:		
DRAWING No:	TK75x180						PRINT NAME:		
REVISION:	-						SIGNATURE:		
CREATED:	1.1.20						DATE:		
DRAWN BY:	TECHNICAL DEPARTMENT	PAPER SIZE							
DWG SCALE(S):	NTS								
COLOUR / FINISH REF:	WHITE CRAFT PAPER FINISH	PROJECTION THIRD ANGLE	COPYRIGHT © 2020 ALL RIGHTS RESERVED - THIS DRAWING IS STRICTLY THE PROPERTY OF PENDOCK - (TP MANUFACTURING LTD)						

PENDOCK
 THE CASING & ENCLOSURE SPECIALIST
 HALESFIELD 19
 TELFORD
 SHROPSHIRE TF7 4QT
 (t) 01952 580590 (f) 01952 587805
 sales@pendock.co.uk
 www.pendock.co.uk